

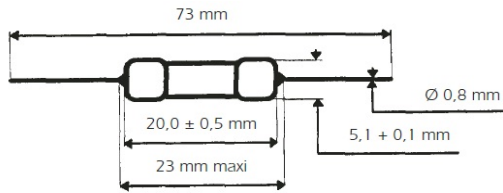
Miniature Fuses

Axial leads 5x20
FA/FB "AL" Very Fast Acting
250V from 0.04 to 6.3A



UL recognized E90660

Dimensions



Sand-filled fuses



Installation instructions

Soldering heat resistance : according IEC 68-2-20 / 260°C for 10 seconds

Materials: body: Ceramic tube

Materials: contact: Tin-plated copper

Product weight: 1.5g max.

Packaging: In tape per 2000 pieces

Size	Catalog Number	Reference Number	Rated Voltage (V)	Nominal Current (A)	Breaking capacity @ Nominal current (A)	Pre-arcing I ² t @ Rated voltage (A ² s)	Clearing I ² t @ Rated Voltage (A ² s)	Max. voltage drop (V)
5x20	MI5FBP25V0.04	Z204883	250	0.04*	**	0.00013	0.0004	1.5
5x20	MI5FBP25V0.05	S206901	250	0.05*	**	0.0002	0.0006	1.5
5x20	MI5FBP25V0.063	K205031	250	0.063*	**	0.00041	0.0012	1.3
5x20	MI5FBP25V0.08	C207899	250	0.08*	**	0.00077	0.0022	1.1
5x20	MI5FBP25V0.1	B206472	250	0.1*	**	0.00131	0.0037	1.1
5x20	MI5FAP25V0.125	M205907	250	0.125	**	0.00077	0.0021	1.7
5x20	MI5FAP25V0.16	H208249	250	0.16	**	0.002	0.006	1.3
5x20	MI5FAP25V0.2	J208250	250	0.2	**	0.0046	0.013	1.1
5x20	MI5FAP25V0.25	L205906	250	0.25	**	0.009	0.025	1
5x20	MI5FAP25V0.315	K208251	250	0.315	**	0.016	0.045	0.9
5x20	MI5FAP25V0.4	L208252	250	0.4	**	0.03	0.085	0.85
5x20	MI5FAP25V0.5	M208253	250	0.5	**	0.05	0.15	0.8
5x20	MI5FAP25V0.63	N208254	250	0.63	**	0.12	0.35	0.7
5x20	MI5FAP25V0.8	P208255	250	0.8	**	0.25	0.72	0.6
5x20	MI5FAP25V1	Q208256	250	1	**	0.11	0.25	0.46
5x20	MI5FAP25V1.25	R208257	250	1.25	**	0.26	0.65	0.36
5x20	MI5FAP25V1.6	S208258	250	1.6	**	0.39	0.9	0.42
5x20	MI5FAP25V2	T208259	250	2	**	0.81	1.9	0.37
5x20	MI5FAP25V2.5	V208260	250	2.5	**	1.44	3.2	0.34
5x20	MI5FAP25V3.15	W208261	250	3.15	**	2.46	5.5	0.33
5x20	MI5FAP25V4	X208262	250	4	**	4.6	10	0.31
5x20	MI5FAP25V5	Y208263	250	5	**	11	25	0.24
5x20	MI5FAP25V6.3	Y208033	250	6.3	**	23	50	0.2

* Rating non approval

**250VAC 4kA Cos μ \geq 0.7, 250VAC 30kA Cos μ \geq 0.2
and for approvals I_c=10kA under 250VAC Cos μ \geq 0.7



Shah & Shah Enterprise

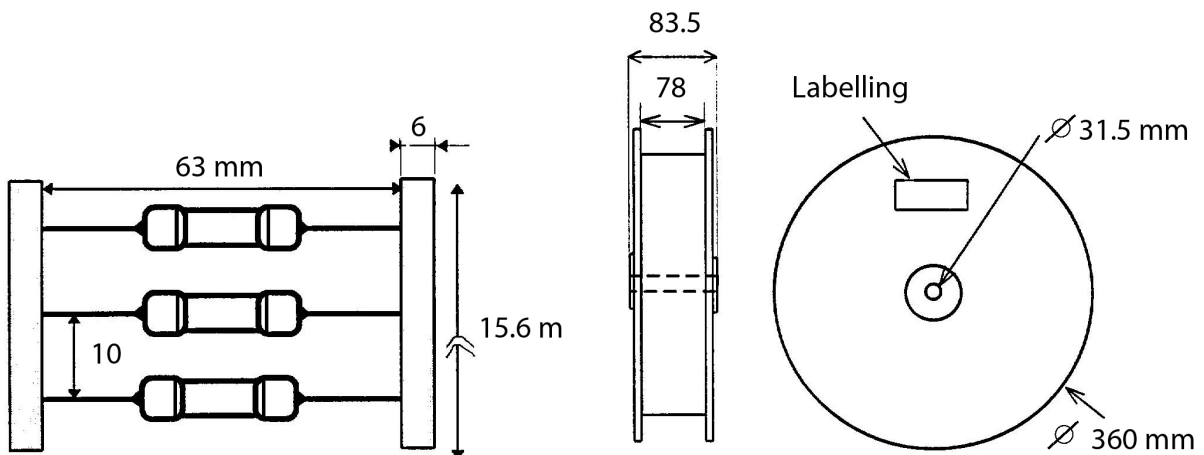
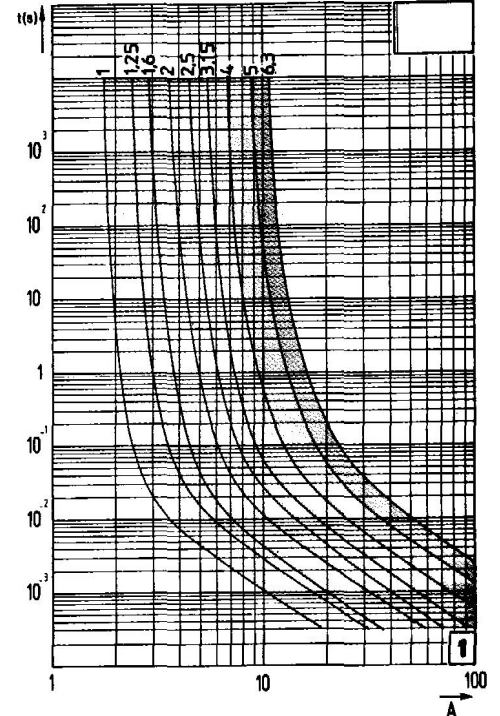
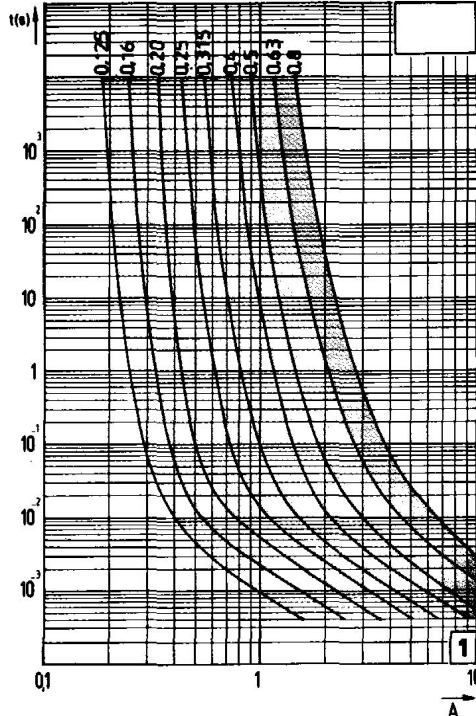
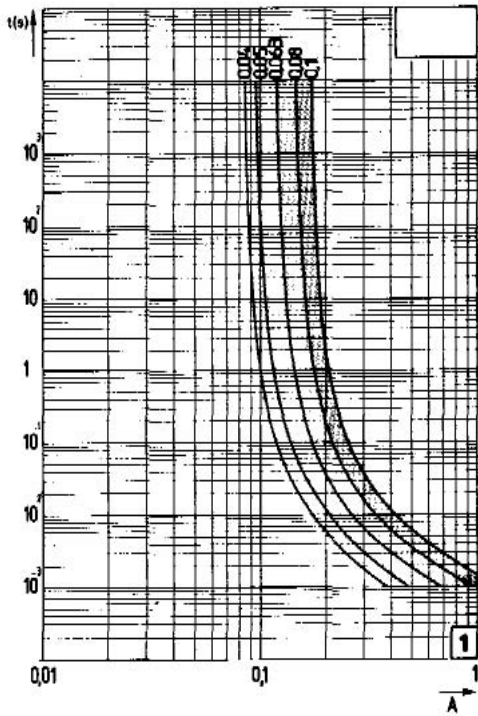
www.shahent.co.in

Miniature Fuses

Axial leads 5x20
FA/FB "AL" Very Fast Acting
250V from 0.04 to 6.3A



Time Current Curves



Shah & Shah Enterprise

www.shahent.co.in